

# WCS interface module

## WCS-IS310

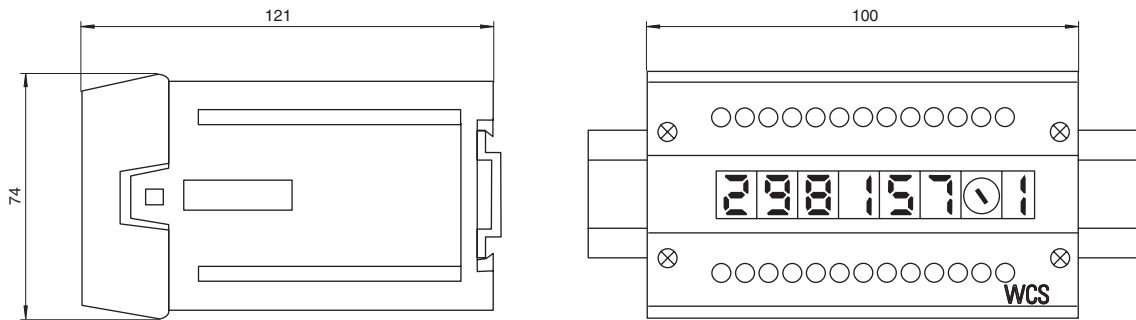


- Integrated display
- Long possible cable length between reading head and SSI master
- DIN rail mounting

### WCS SSI interface module



### Dimensions



### Technical Data

General specifications	
Installation	DIN rail mounting
Electrical specifications	
Operating voltage	$U_B$ 24 V DC $\pm$ 20 %
Power consumption	$P_0$ $\leq$ 2 W (without read heads)
Interface 1	
Connection of	control system
Interface type	SSI
Transfer rate	max. 500 kHz
Data output format	binary code
Bus termination resistor	integrated
Interface 2	
Connection of	Read head
Connectable read heads	WCS-LS211
Interface type	RS-485
Transmission method	half duplex
Transfer rate	max. 187.5 kBit/s

Release date: 2022-10-20 Date of issue: 2022-10-20 Filename: 193852\_eng.pdf

Refer to "General Notes Relating to Pepperl+Fuchs Product Information".

Pepperl+Fuchs Group  
www.pepperl-fuchs.com

USA: +1 330 486 0001  
fa-info@us.pepperl-fuchs.com

Germany: +49 621 776 1111  
fa-info@de.pepperl-fuchs.com

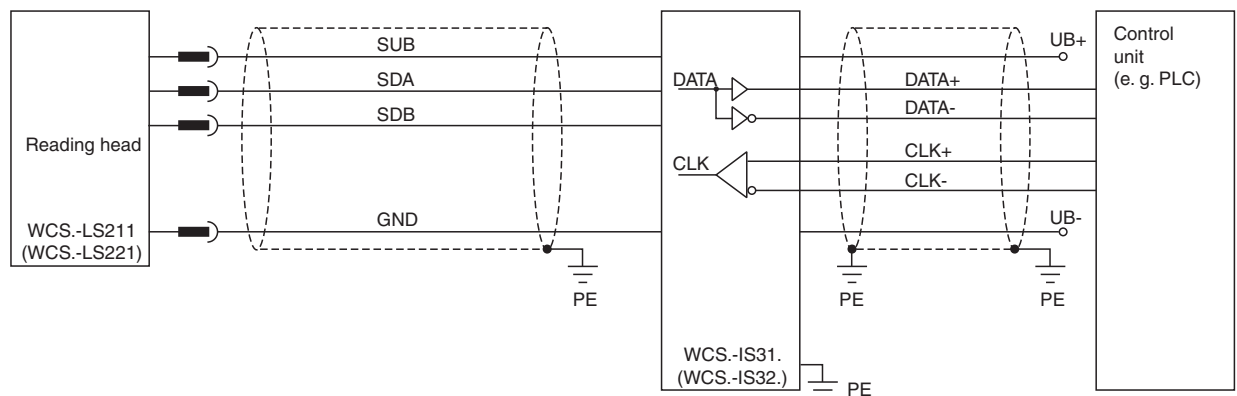
Singapore: +65 6779 9091  
fa-info@sg.pepperl-fuchs.com

**PF** PEPPERL+FUCHS

## Technical Data

RS485 termination resistor	integrated
Refresh cycle of read head	1 ms
<b>Standard conformity</b>	
Emitted interference	EN 55011
Noise immunity	DIN EN 50082-2
<b>Ambient conditions</b>	
Operating temperature	0 ... 55 °C (32 ... 131 °F)
Storage temperature	-40 ... 70 °C (-40 ... 158 °F)
Relative humidity	≤ 80 %
<b>Mechanical specifications</b>	
Connection type	removable terminal block
Housing width	100 mm
Housing height	74 mm
Housing depth	121 mm
Degree of protection	IP20
Material	plastic
Installation position	any position
Mass	approx. 350 g

## Connection



## Connection

### Terminal connection

Terminal	Designation
UB+	Power supply interface module
GND	Ground interface module
SUB	Operating voltage read head
SDA	RS 485 + data line to the read head
SDB	RS 485 -data line to the read head
GND	Ground read head
DATA+	Data +
DATA-	Data -
CLK+	Clock +
CLK-	Clock -
PE	Protective earth

### Connection WCS\* - read head

Terminal pin read head			Terminal interface module
WCS2A/WCS2B	WCS3A	WCS3B	
2	1	1	SUB
4	2	2	SDA
1	3	4	SDB
3	5	3	GND