

Inclination/Slope of structures being constructed

KB-DB/KB-EB Inclinator

Civil engineering design



The KB-DB and KB-EB inclinometers are suitable for monitoring the conditions of structures being constructed or measuring the behavior of structures for a long period. The KB-DB is for measurement in one direction, while the KB-EB is for simultaneous measurement in both X and Y directions.

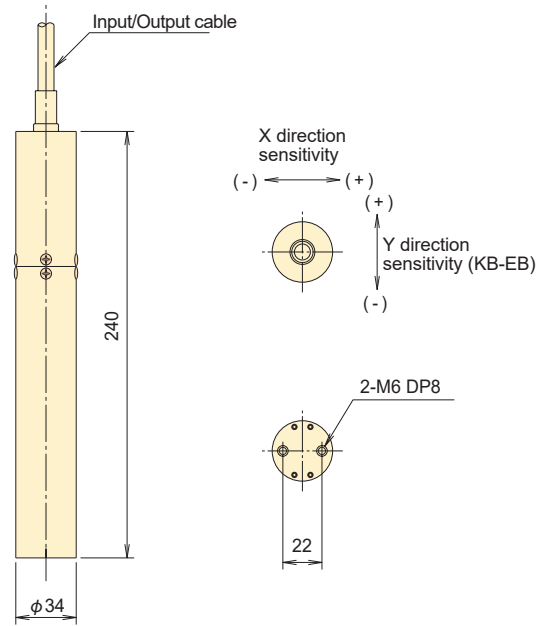
Protection ratings: IP67 equivalent

Made of all stainless steel with excellent corrosion resistance

Wall mounting and vertical installation

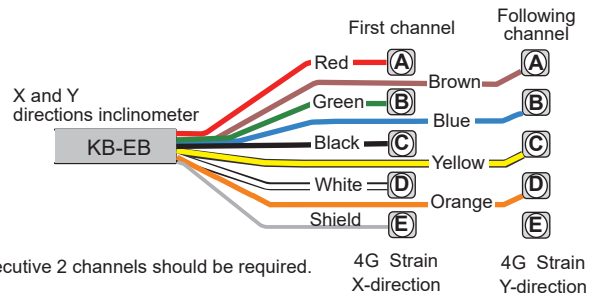
Waterproofness and excellent stability

Two (X and Y) directional measurement with KB-EB



CONNECTION TO DATA LOGGER

X and Y directions Inclinator KB-EB with 8-core integral cable



Consecutive 2 channels should be required.

4G Strain X-direction

4G Strain Y-direction

SPECIFICATIONS

TYPE	KB-5DB	KB-10DB	KB-5EB	KB-10EB
No. of measuring direction		1		2
Capacity	±5°	±10°	±5°	±10°
Rated output	1mV/V (2000x10 ⁻⁶ strain)			
Non-linearity	0.5%RO			
Cross sensitivity			3%RO or less	
Allowable temperature range	-20 ~ +60°C			
Input/Output resistance	350Ω			
Recommended exciting voltage	2V or less			
Allowable exciting voltage	5V			
Weight	1.3 kg			

Input/Output cable :

KB-5DB/-10DB

φ9mm 0.5mm² 4-core shielded chloroprene cable 2m

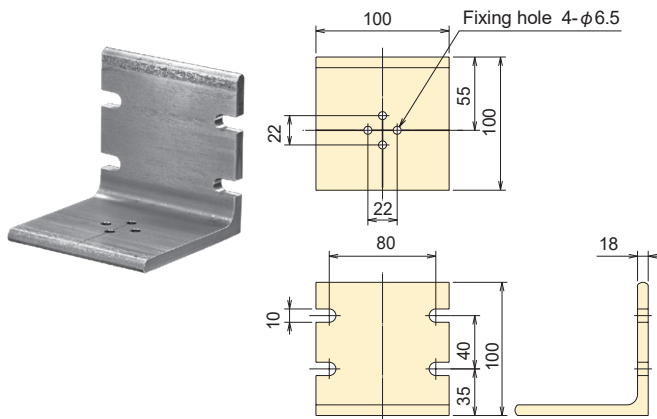
KB-5EB/-10EB

φ9mm 0.3mm² 8-core shielded vinyl cable 2m

ACCESSORY

Wall mount fitting KBF-17

This fitting is used to mount the KB-DB/KB-EB inclinometer to wall of structure.



Flat mount fitting KBF-18

This fitting is used to mount the KB-DB/KB-EB inclinometer to flat surface.

